



HAD10B

CONDENSATE AUTO DRAINS

FOR REMOVAL OF LIQUID CONDENSATE DRYING SYSTEM



Auto Drain Valve- Float Ball Type

Zero Air Loss for Energy Saving



Designed with an inlet size of Rc1/2" for connecting air filters, water separators, etc.

To prevent air leakage, an O ring is placed between the head and the bowl and is fastened with bolts.

Better visibility, use of transparent bowl guard makes it possible to check the condensate inside the bowl from the entire periphery. the internal drain is covered with a transparent bowl guard.

Manual drain for pushing up to discharge condensate if occurs air blockage.

Fast quick connection kit with outlet size $\phi 6\text{mm}$ for connect soft pipe line.

Features

- Zero air/gas loss
- Buoyancy and pressure control minimize costly compressed air loss.
- A low velocity condensate outlet ensures that no emulsion is created.
- No need for electrical wiring, as no power supply is required.
- Manual drain valve for discharge and operational check fitted as standard.

Design Idea

When pressure inside the bowl is released:

Even when pressure inside the bowl is released, the spring keeps the diaphragm in its upward position. This keeps the seal created by the main valve in place; thus, the inside of the bowl is shut off from the outside air. Therefore, even if there is an accumulation of condensate in the bowl, it will not drain out.

When pressure is applied inside the bowl:

Even when pressure is applied inside the bowl, the combined force of the spring and the pressure inside the bowl keeps the diaphragm in its upward position. This maintains the seal created by the main valve in place; thus, the inside of the bowl is shut off from the outside air. If there is no accumulation of condensate in the bowl at this time, the float will be pulled down by its own weight, causing the valve, which is connected to the lever, to seal the valve seat.

When there is an accumulation of condensate in the bowl:

The float rises due to its own buoyancy and the seal at the valve seat is interrupted. This allows the pressure inside the bowl to enter the tube. The result is that the combined pressure inside the tube and the force of the spring lowers the diaphragm. This causes the seal at the main valve to be interrupted, and the accumulated condensate in the bowl drains out.



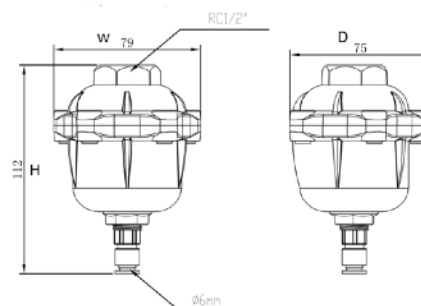
Fast quick connection kit with outlet size $\phi 6\text{mm}$ to connect soft pipe line



Installed at the bottom of air filters and water separators

Technical Data

Description	Automatic Drain
Auto drain type	Float type
Model	HAD10B
Operating temperature range	1.5-85 °C
Proof pressure	16 bar
Max.Operating pressure	10 bar
Largest discharge capacity (at 7 bar)	84 l/h
Initial Discharge value	22 mL
Mass	0.13 kg
Inlet/outlet connection	Rc1/2", $\phi 6$ (mm)
Medium	Condensate (air, water, oil)
Measurement W*D*H (mm)	79*79*112





Yun Air Technology Co., Ltd.



Hongrijia Depurate Facility Science & Technology Co.,Ltd

Building E1-1-1, 1-2 floors, Qun Yi
Leng Manufacturing Industrial Park,
Tong Hu Town, Hui Cheng District,
Huizhou, Guangdong, China



Office Address:

Rui ji 1st Rd, Longgang District
Shenzhen, Guangdong, China



+86 150 1366 4809



info@yun-air.com



www.yun-air.com



OEM Capabilities

When you need a special filter for a unique application, Yun Air experts are ready to work with you. We can tailor a configuration to meet your special need from the wide variety of filter media available. In addition, with LEAN manufacturing, we can produce specials in reasonable quantities, in a reasonable amount of time, at a reasonable price. Not only will this enhance the performance of your product, but it will benefit you with aftermarket sales of replacement elements.

OUR RANGES OF PRODUCTS INCLUDE THE FOLLOWING:

- Compressed air dryers
- Compressed air filters
- Compressed air water separators
- Alternative air filter elements
- Condensate auto drain
- Compressed air accessories
- Portable mask